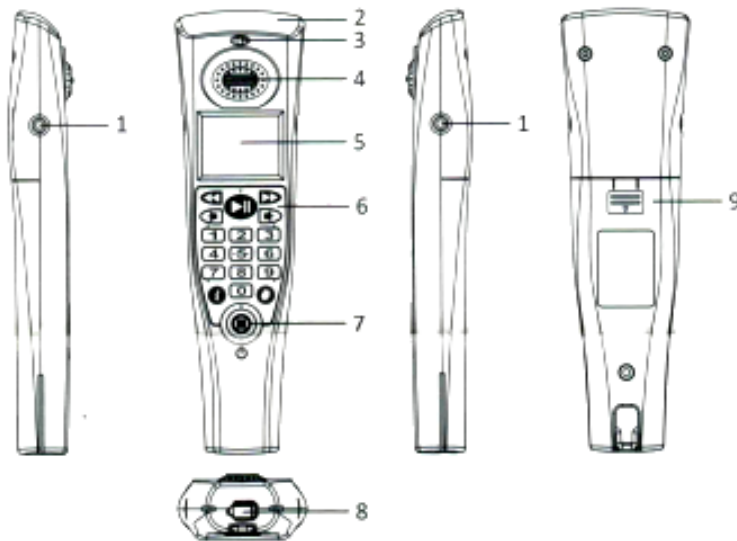


## Audio Guide System HearoGuide 200+ Player



### ■ Illustration

1. Earphone jack
2. Triggering module
3. Charging indicator
4. Inbuilt speaker
5. OLED screen
6. Keypad
7. Power/Stop button
8. Uploading connector
9. Battery door

#### 1. Earphone jack, stereo, 3.5 mm

1 or 2 headphones are valid for more than 1 user.

#### 2. Triggering module

In addition to inbuilt IR triggering mode, various triggering options (RFID/RF/GPS) are offered respectively upon demands.

#### 3. Charging indicator

- Red/Green LED indicator stands for charging/fully charged status.
- Glittery red LED indicator means potentially defective battery inside. Please hand over the player to the counter.

#### 4. Inbuilt speaker

Users can listen to audio commentaries through the inbuilt speaker. However, this function will be disabled when the player connects with headphones.

#### 5. OLED screen

Triggering modes, battery status, volumes, photos of exhibits, and playing tracks/progress will display on the OLED screen.

#### 6. Keypad

1 2 3 Numeric buttons for audio tracks  
4 5 6  
7 8 9  
0

Play & Pause

Volume up

Fast forward, next track

Volume down

Fast backward, last track

NOTE: 2 auxiliary buttons, and , are designed for further information and will be updated by organizers.

#### 7. Power/Stop button

- To power on - press power button for about 1 second.
- To power off - press power button for about 2 seconds till "OFF" shows up.
- To stop or redial codes of an audio commentary, simply press stop button and dial new codes again.

#### 8. Uploading connector (IEEE 1394 port)

This port will be connected with computers/uploaders/chargers for either uploading or recharging.

##### • Uploading mode:

When an audioguide is connected with a computer, an uploading icon will appear.

##### • Recharging mode:

When a press of "stop" button, the audioguide changes to recharging mode from uploading mode.

#### 9. Battery door

If the inbuilt battery is defective, open the battery door for replacement.

### IMTRADEX HÖR-SPRECHSYSTEME GesmbH

Pombergerweg 292a • A-1220 Wien / Austria • Telefon: +43 / 1 / 20 44 294-0 • Telefax: +43 / 1 / 2044294-18  
 email: headsets@imtradex.at • Bankverbindung: Erste Bank • IBAN: AT88 2011 1286 1836 0600 • BIC: GIBAAATWW  
 registr. beim Handelsgericht Wien FN 495535d • UID-Nr. ATU73523458 • www.headsets.at • www.imtradex.at